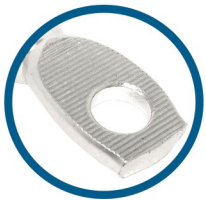


# COMPRESSION TERMINAL CONNECTOR LUG

Manufactured for one or two fixing compressions and lug with one or two holes.



**STRETCH MARKS**  
Better electrical  
contact.



---

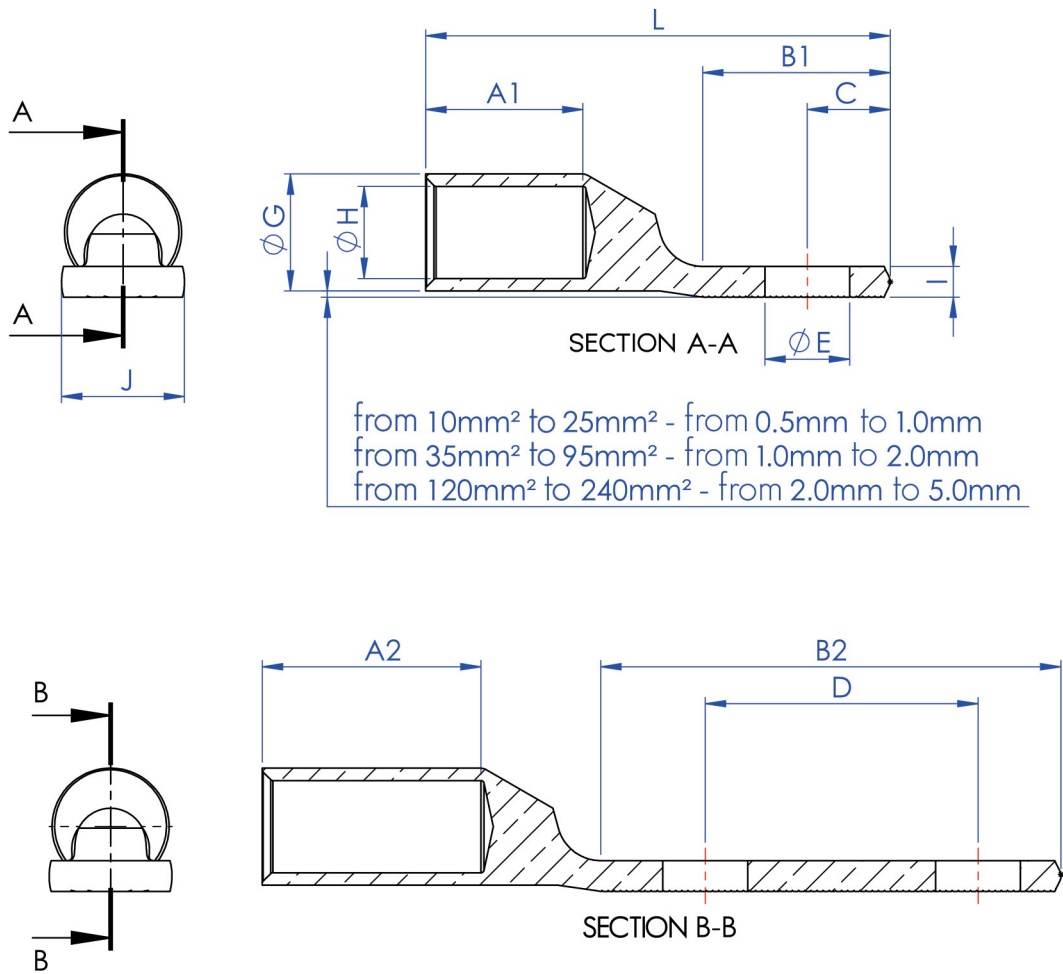
***Practicality, facility and speed  
during the installation process.***

---

This is a product used by installers to connect cables in several electrical contacts; electrical panels in general, cable splices, etc.

## MAIN BENEFITS

- *It can be applied in copper cable from 10mm<sup>2</sup> to 240mm<sup>2</sup>;*
- *Cold forming process in tinned electrolytic copper;*
- *Conductivity improvement;*
- *Corrosion resistant.*



**A1 - 1 COMPRESSION**  
**A2 - 2 COMPRESSIONS**

**B1 - 1 HOLE**  
**B2 - 2 HOLES**

SECTION	A1 ± 0.50	A2 ± 0.50	B1 ± 0.50	B2 ± 0.50	C ± 0.50	D ± 0.50	E ± 0.20	G ± 0.10	H ± 0.20	I ± 0.50	J ± 1.00	L ± 2.00 (A1 B1)	L ± 2.00 (A1 B2)	L ± 2.00 (A2 B1)	L ± 2.00 (A2 B2)
10mm <sup>2</sup>	8.00	16.00	12.00	26.00	5.00	14.00	5.50	6.00	4.50	1.50	8.00	25.00	39.00	33.00	47.00
16mm <sup>2</sup>	10.00	20.00	13.50	29.50	6.00	16.00	5.50	7.93	5.50	2.00	10.00	29.00	45.00	39.00	55.00
25mm <sup>2</sup>	11.00	22.00	16.50	32.50	6.00	16.00	6.50	9.52	7.00	2.00	11.00	37.00	53.00	48.00	64.00
35mm <sup>2</sup>	12.00	24.00	18.00	37.00	8.00	19.00	8.50	11.10	8.50	2.50	13.00	39.00	58.00	51.00	70.00
50mm <sup>2</sup>	16.00	26.00	19.60	42.00	9.00	22.20	10.50	12.70	9.90	3.50	15.00	48.00	70.00	58.00	80.00
70mm <sup>2</sup>	16.00	28.00	22.60	67.00	10.00	44.40	10.50	14.28	11.50	4.00	15.00	54.00	98.00	64.00	110.00
95mm <sup>2</sup>	18.00	28.00	22.60	67.00	10.00	44.40	10.50	17.46	13.50	5.00	18.00	60.00	104.00	70.00	114.00
120mm <sup>2</sup>	26.00	36.00	28.60	73.00	13.50	44.40	13.60	19.05	15.00	5.00	20.00	67.00	111.00	77.00	121.00
150mm <sup>2</sup>	26.00	38.00	28.60	73.00	13.50	44.40	13.60	22.23	17.50	6.00	23.00	76.00	120.00	88.00	132.00
185mm <sup>2</sup>	26.00	38.00	28.60	73.00	13.50	44.40	13.60	23.81	18.50	7.00	25.00	80.00	124.00	92.00	136.00
240mm <sup>2</sup>	29.00	43.00	35.60	80.00	17.00	44.40	13.60	27.10	21.30	8.00	29.00	97.00	141.00	111.00	155.00



ISO 9001  
**INDEL**  
**BAURU**  
 Protection for  
 Energy Distribution

**Sales and Factory**

Joaquim Marques de Figueiredo street, 2-79  
 Industrial District I - Bauru-SP - Brazil - Zip Code 17034-290  
 Ph. +55 (14) 3281-7070  
[vendas@indelbauru.com.br](mailto:vendas@indelbauru.com.br)  
[www.indelbauru.com](http://www.indelbauru.com)